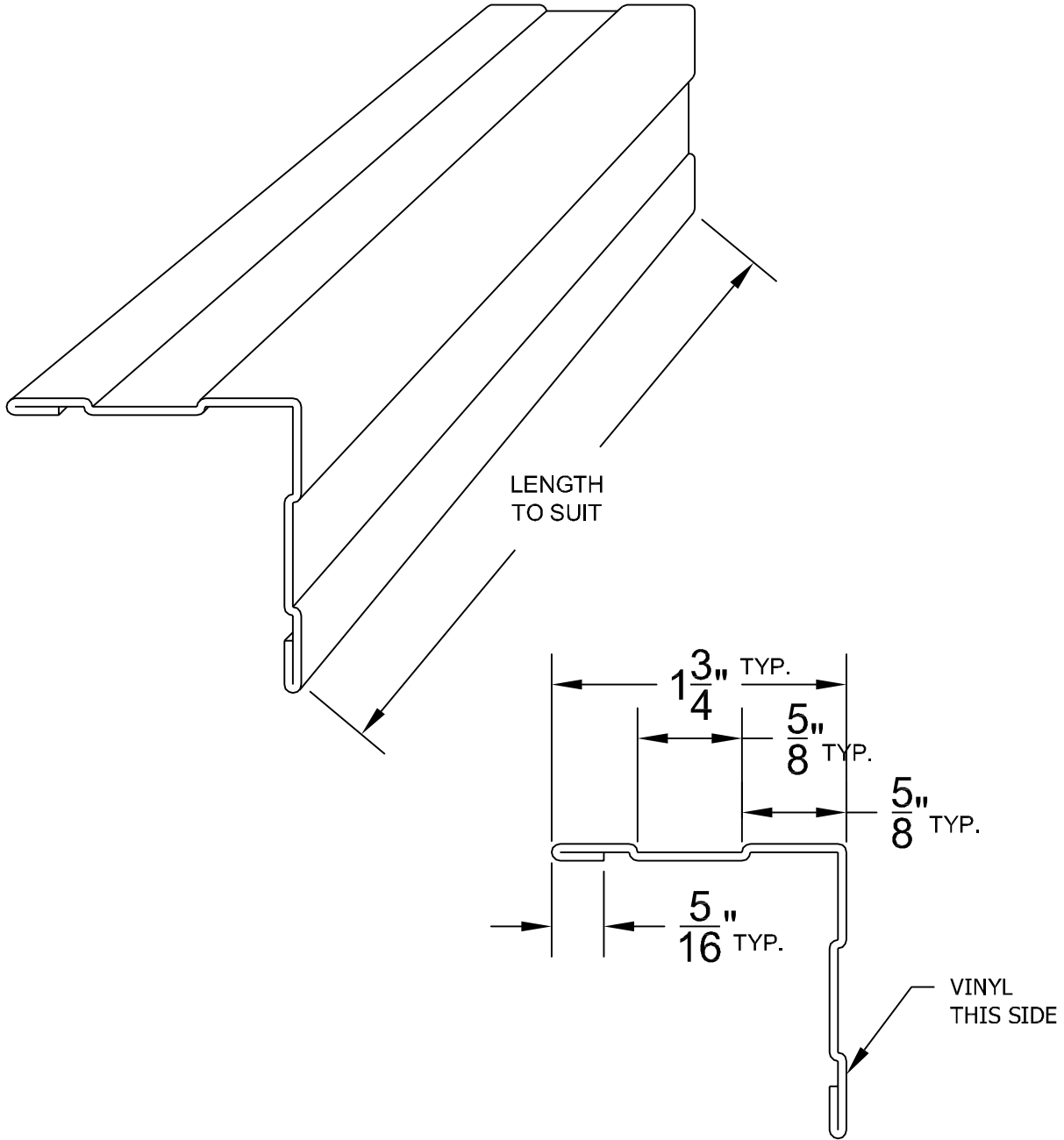


REVISION HISTORY				
REV	DESCRIPTION	INCORP BY	DATE	CHECKED
0	INITIAL RELEASE	RYA	05/05/2004	RYA
1	ARVEX P ADDED	RYA	09/12/2005	RYA



**ARVINYL**  
**METAL LAMINATES CORP.**  
 PHONE: 951-371-7800  
 233 NORTH SHERMAN AVENUE  
 CORONA, CALIFORNIA 92882-1844  
 FAX: 951-371-7118  
 ISO 9001: 2000

TITLE  
**OUTSIDE CORNER**

MATERIAL  
 .032 / 5052H32 CLAD W/ ARWALL / ARVEX S / ARVEX P

UNLESS OTHERWISE SPECIFIED  
 DIMENSIONS ARE IN INCHES  
 TOLERANCE ON ANGLE ± 0° 30'  
 ON DECIMAL .XX ± .03  
 .XXX ± .010

INTERPRET  
 DIMENSIONS AND TOLERANCES  
 PER ASME Y14.5M - 1994  
 DO NOT SCALE DRAWING

SIZE <b>A</b>	CAGE CODE	DWG NO. <b>#104</b>	REV <b>1</b>
SCALE		SHEET 1 of 1	

APPROVALS	INITIALS	NAME (PRINT)	DATE