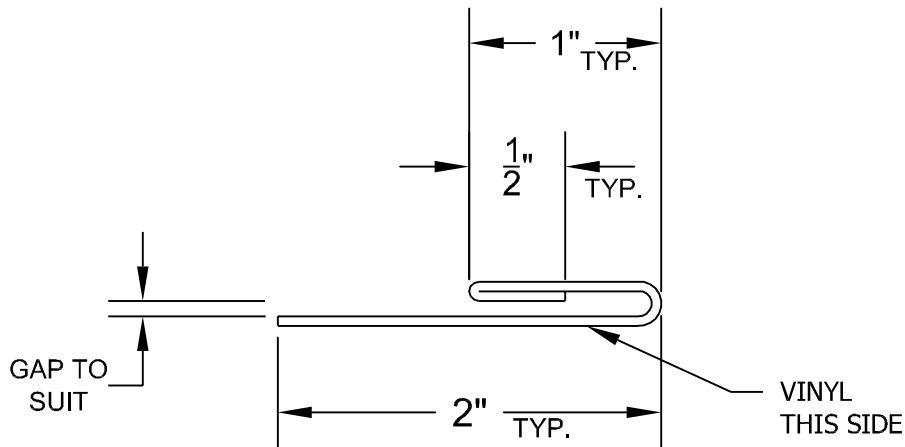
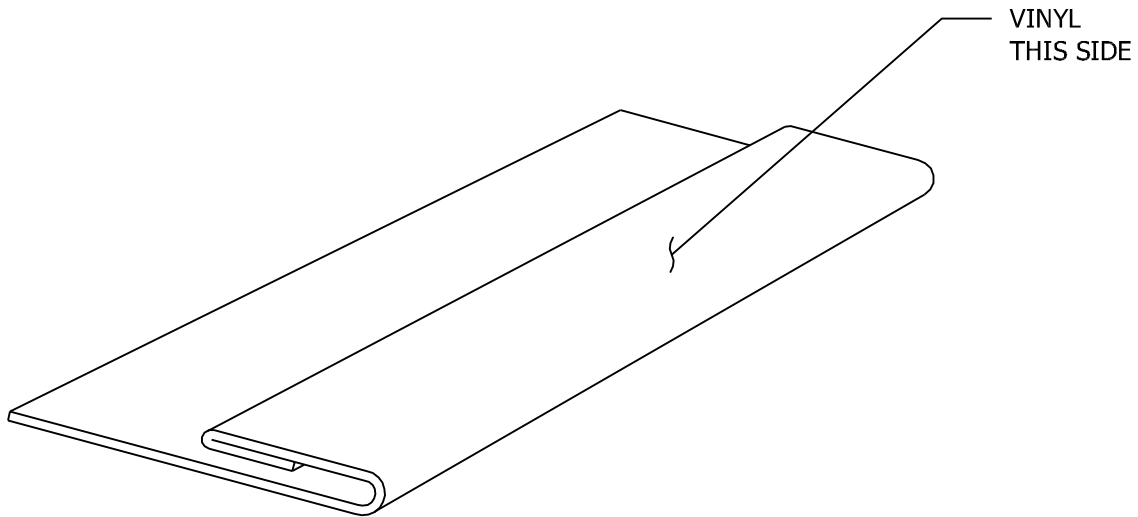


REVISION HISTORY				
REV	DESCRIPTION	INCORP BY	DATE	CHECKED
0	INITIAL RELEASE	RYA	05/05/2004	RYA
1	ARVEX P ADDED	RYA	09/12/2005	RYA



ARVINYL
METAL LAMINATES CORP.
 PHONE: 951-371-7800
 233 NORTH SHERMAN AVENUE
 CORONA, CALIFORNIA 92882-1844
 FAX: 951-371-7118
 ISO 9001: 2000

TITLE
END CAP

MATERIAL
 .032 / 5052H32 CLAD W/ ARWALL / ARVEX S / ARVEX P

UNLESS OTHERWISE SPECIFIED
 DIMENSIONS ARE IN INCHES
 TOLERANCE ON ANGLE ± 0° 30'
 ON DECIMAL .XX ± .03
 .XXX ± .010

INTERPRET
 DIMENSIONS AND TOLERANCES
 PER ASME Y14.5M - 1994
 DO NOT SCALE DRAWING

SIZE A	CAGE CODE	DWG NO. #107	REV 1
SCALE		SHEET 1 of 1	

APPROVALS	INITIALS	NAME (PRINT)	DATE