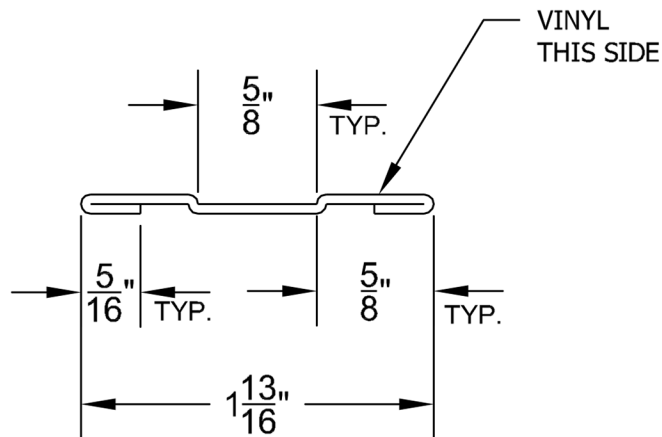
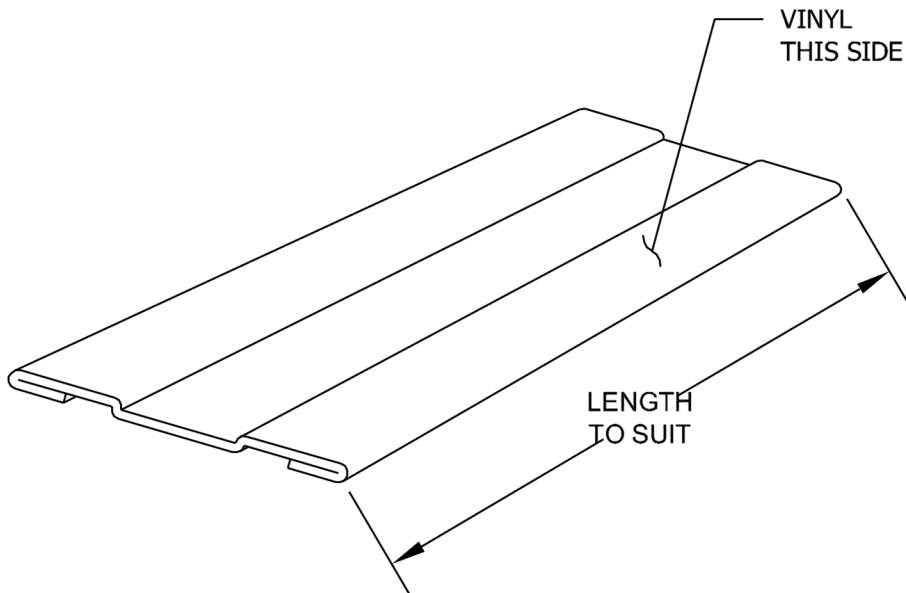


REVISION HISTORY				
REV	DESCRIPTION	INCORP BY	DATE	CHECKED
0	INITIAL RELEASE	RYA	05/05/2004	RYA
1	ARVEX P ADDED	RYA	09/12/2005	RYA



ARVINYL
L A M I N A T E S
Perfecting the Finishing Touch

ARVINYL LAMINATES
233 N. SHERMAN AVENUE
CORONA, CA 92822
PHONE: 800-278-4695 / 951-371-7800

TITLE
BATTEN

MATERIAL
.032 / 5052H32 CLAD W/ ARWALL / ARVEX S / ARVEX P

SIZE A	CAGE CODE	DWG NO. #106	REV 1
SCALE		SHEET 1 of 1	

UNLESS OTHERWISE SPECIFIED DIMENSIONS ARE IN INCHES TOLERANCE ON ANGLE $\pm 0^{\circ} 30'$ ON DECIMAL .XX $\pm .03$.XXX $\pm .010$		INTERPRET DIMENSIONS AND TOLERANCES PER ASME Y14.5M - 1994 DO NOT SCALE DRAWING	
APPROVALS	INITIALS	NAME (PRINT)	DATE