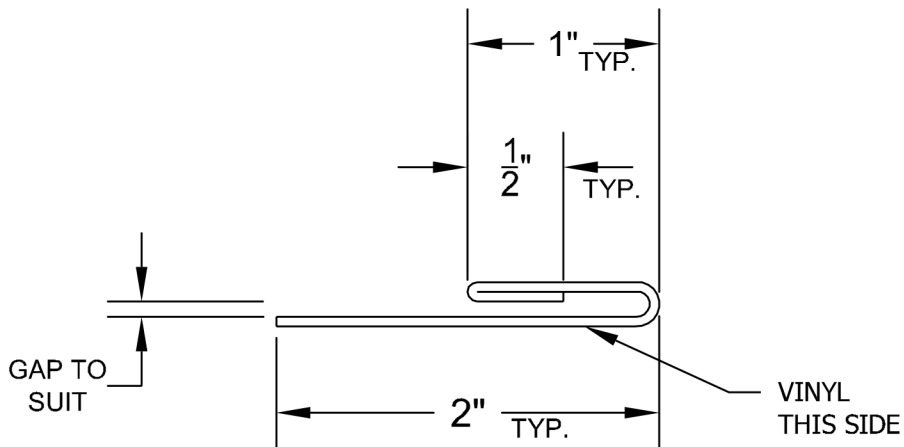
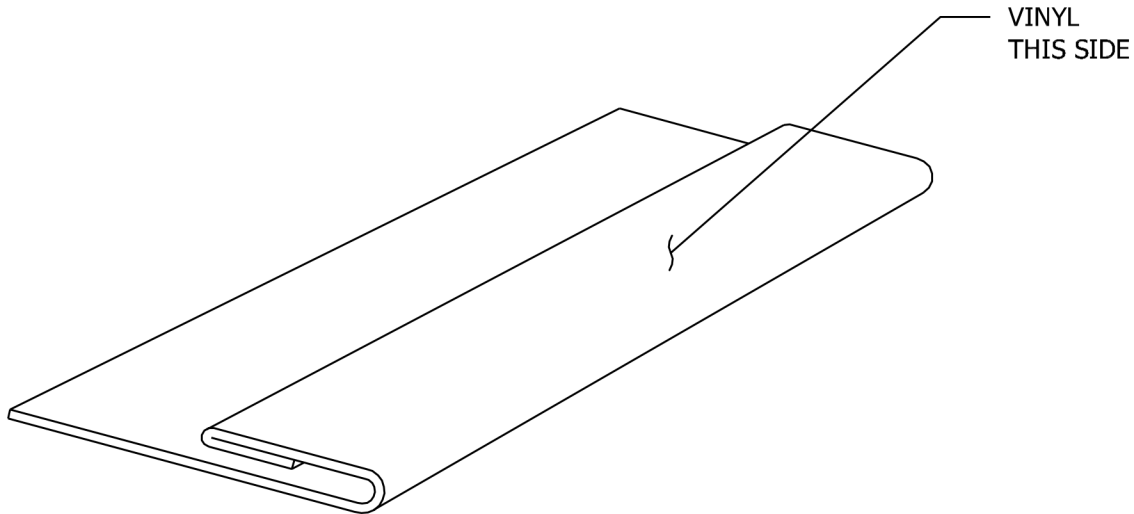


REVISION HISTORY				
REV	DESCRIPTION	INCRP BY	DATE	CHECKED
0	INITIAL RELEASE	RYA	05/05/2004	RYA
1	ARVEX P ADDED	RYA	09/12/2005	RYA





ARVINYL LAMINATES
 Perfecting the Finishing Touch
ARVINYL LAMINATES
 233 N. SHERMAN AVENUE
 CORONA, CA 92822
 PHONE: 800-278-4695 / 951-371-7800

TITLE
END CAP

MATERIAL
.032 / 5052H32 CLAD W/ ARWALL / ARVEX S / ARVEX P

UNLESS OTHERWISE SPECIFIED
DIMENSIONS ARE IN INCHES
TOLERANCE ON ANGLE $\pm 0^{\circ} 30'$
ON DECIMAL .XX $\pm .03$
.XXX $\pm .010$

INTERPRET
DIMENSIONS AND TOLERANCES
PER ASME Y14.5M - 1994
DO NOT SCALE DRAWING

APPROVALS	INITIALS	NAME (PRINT)	DATE

SIZE	CAGE CODE	DWG NO.	REV
A		#107	1
SCALE			SHEET 1 of 1