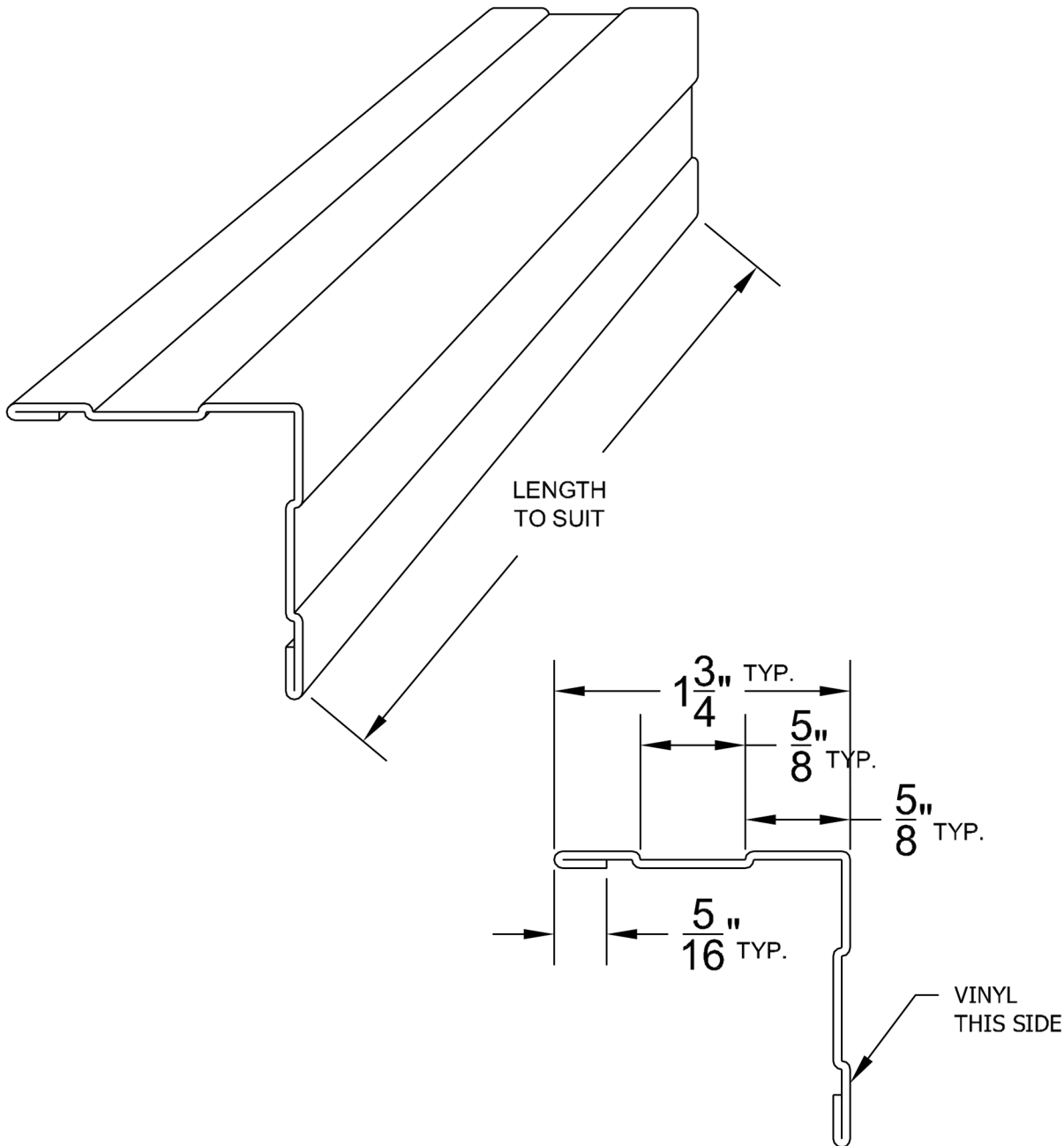


REVISION HISTORY				
REV	DESCRIPTION	INCRP BY	DATE	CHECKED
0	INITIAL RELEASE	RYA	05/05/2004	RYA
1	ARVEX P ADDED	RYA	09/12/2005	RYA



**ARVINYL**  
L A M I N A T E S  
Perfecting the Finishing Touch

**ARVINYL LAMINATES**  
233 N. SHERMAN AVENUE  
CORONA, CA 92822  
PHONE: 800-278-4695 / 951-371-7800

TITLE  
**OUTSIDE CORNER**

MATERIAL  
.032 / 5052H32 CLAD W/ ARWALL / ARVEX S / ARVEX P

UNLESS OTHERWISE SPECIFIED  
DIMENSIONS ARE IN INCHES  
TOLERANCE ON ANGLE  $\pm 0^{\circ} 30'$   
ON DECIMAL .XX  $\pm .03$   
.XXX  $\pm .010$

INTERPRET  
DIMENSIONS AND TOLERANCES  
PER ASME Y14.5M - 1994  
DO NOT SCALE DRAWING

APPROVALS	INITIALS	NAME (PRINT)	DATE

SIZE	CAGE CODE	DWG NO.	REV
A		#104	1
SCALE		SHEET	1 of 1